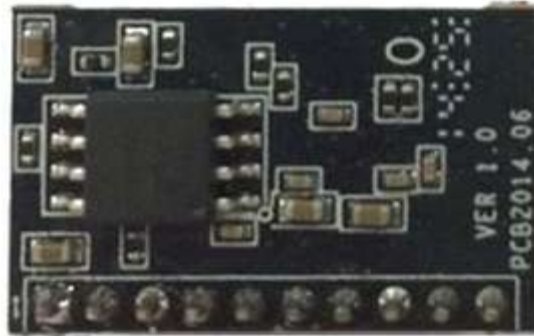


HF-LPT100S & HF-LPT100

Low Power WiFi Module Difference



Overview of Difference

- ✧ LPT100S Support Maximum **4 Channel PWM** output. LPT100 Support **3 Channel PWM** Output.
- ✧ LPT100S Support **Copper Line Antenna** Output. LPT100 support **IPEX connector**.

1. PRODUCT OVERVIEW

1.1. Hardware Introduction

1.1.1. Pins Definition

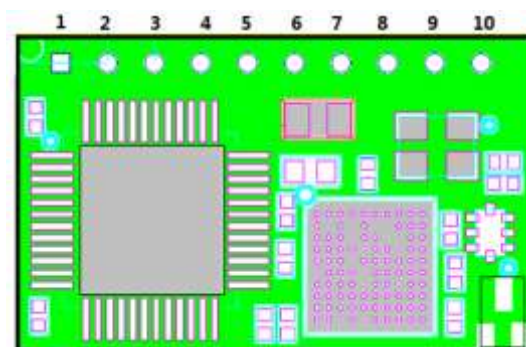


Figure 1. HF-LPT100S Pins Map

Table 2 HF-LPT100S Pins Definition

Pin	Description	Net Name	Signal Type	Comments
1	Ground	GND	Power	
2	+3.3V Power	DVDD	Power	3.3V@250mA
3	Restore Configuration	nReload	I,PU	Detailed functions see <Notes>
4	Module Reset	EXT_RESETn	I,PU	"Low" effective reset input.
5	UART0	UART0_RX	I	GPIO5, No connect if not use.
6	UART0	UART0_TX	O	GPIO6, No connect if not use.
7	PWM Channel 4	PWM_4	I/O	Can be configured as PWM output,GPIO20
8	PWM Channel 3	PWM_3	I/O	Can be configured as WPS/GPIO18 No connect if not use.
9	PWM Channel 2	PWM_2	I/O	Can be configured as nReady/GPIO12. No connect if not use.
10	PWM Channel 1	PWM_1	I/O	Can be configured as nLink/GPIO11. Detailed functions see <Notes>

1.1.2. Order Information

Base on customer detailed requirement, HF-LPT100 series modules provide different variants and physical type for detailed application.

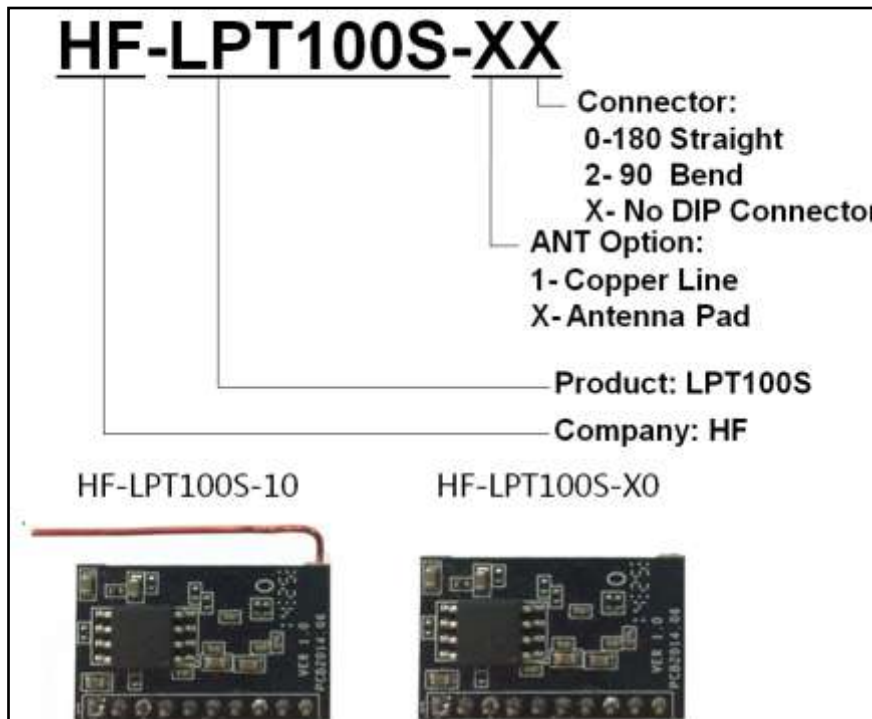


Figure 2. HF-LPT100S Order Information