

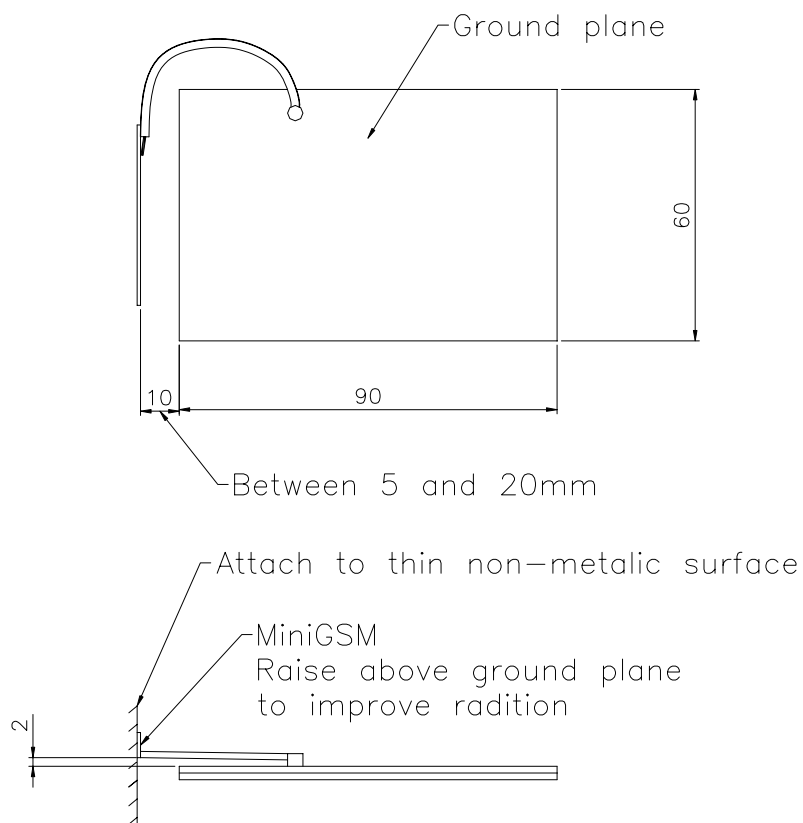
## Application Note

### MiniGSM 900/1800Mhz antenna

The MiniGSM is ground plane dependant and its performance is dictated by its relative position to a ground plane

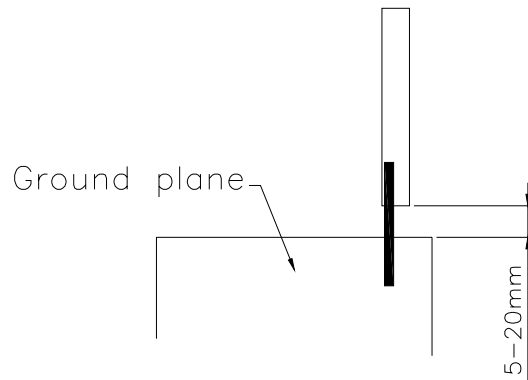
The MiniGSM antenna is designed for applications where there is no space to fit a larger antenna such as the Neris. We would recommend that the Neris antenna is used if possible in preference to the MiniGSM as it is ground plane independent and it's positioning is far less critical.

For optimum performance it is recommended that the MiniGSM antenna is mounted perpendicular to the device ground plane and at a distance of 10mm



MiniGSM optimum location

The radiating element should be kept clear of any shielding effect of any metallic components in the device where possible. An alternative position is shown below.



MiniGSM Alternate position

Typical VSWR Plot when placed in Optimum position

