

# WTR7270

Wideband LTE, 4G, 3G & GSM  
Multiposition Antenna

## Features

- ◆ Groundplane Independent
- ◆ Covers LTE, cellular, GSM and 3G bands
- ◆ Locks in three positions for flexibility
- ◆ Ideal for fixed and mobile terminals

## Specifications

Radiating element	1/2 Wave Element
Frequency range	690-960/1710-2700MHz
Gain	1 dBi
Polarisation	Linear
VSWR	< 2.0:1
Power rating	10W
Connector	SMA-Male (multiposition)
Dimensions	171 x 18mm (max)

## Popular Ordering Options

FWTR35292-SM-KR	WTR7270 antenna with SMA-Male connector
-----------------	---

Specifications subject to change without notice.

5 Little Balmer  
Buckingham Industrial Park  
Buckingham  
MK18 1TF  
UK

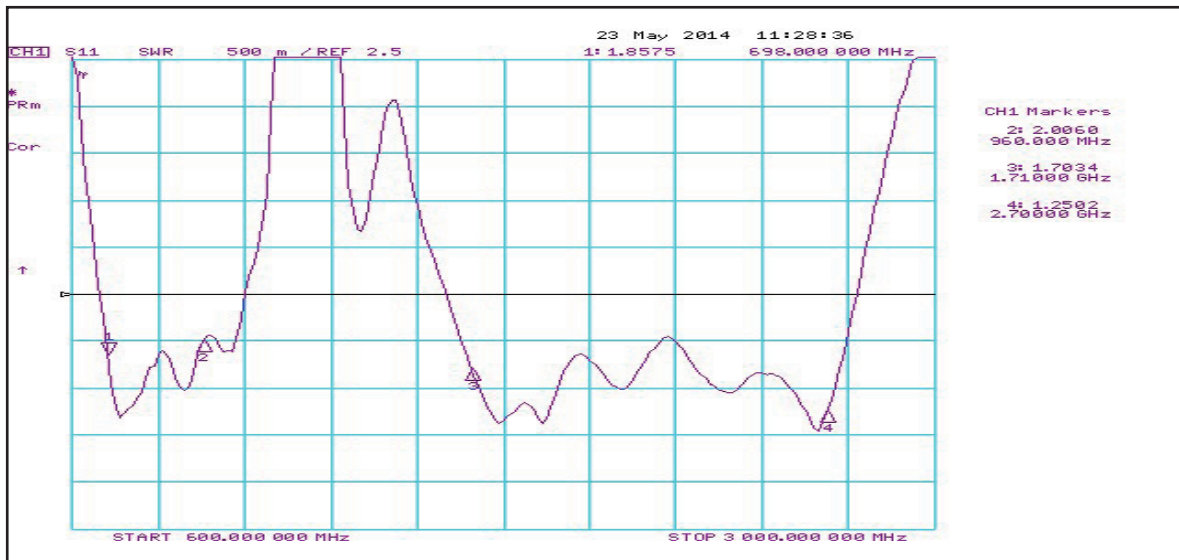
Tel: +44 (0)1280 824055  
Fax: +44 (0)1280 817179  
Email: sales@ead-ltd.com  
Web: www.ead-ltd.com

**EAD**  
embedded antenna design ltd  
*Delivering Antenna Innovation*

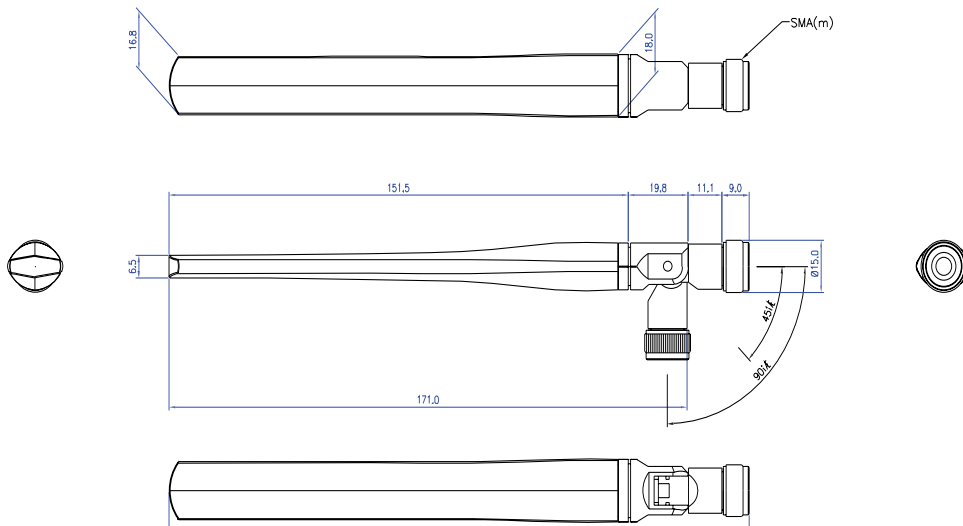


## WTR7270 | LTE/4G Multiband Multiposition Antenna

### VSWR



### Outline Drawing



Specifications subject to change without notice.

5 Little Balmer  
Buckingham Industrial Park  
Buckingham  
MK18 1TF  
UK

Tel: +44 (0)1280 824055  
Fax: +44 (0)1280 817179  
Email: sales@ead-ltd.com  
Web: www.ead-ltd.com