



FGO

2G/3G/4G/LTE High Gain Omni Antenna

Features

- ◆ High Gain Omni Antenna
- ◆ Covers 800/900/1800/1900/2100/2600 MHz bands
- ◆ Ideal for fringe network areas
- ◆ Supplied with Mount Bracket

Specifications

| | |
|-------------------|-------------------------------------|
| Frequency range | 790-960 / 1710-2170 / 2500-2700 MHz |
| Gain | 4 / 5 / 4 dBi |
| Polarisation | Linear |
| Impedance | 50 Ohm |
| VSWR | <2.5:1 |
| Power rating | 10W |
| Operating Temp. | -40 to +70 degrees C |
| Cable / Connector | No cable, N-Female connector |
| Dimensions | 354 x 45mm (hxd) excluding bracket |

Popular Ordering Options

| | |
|-----------------|-------------------------------------|
| FFGO35242-NF-XX | FGO antenna with N-Female Connector |
|-----------------|-------------------------------------|

Specifications subject to change without notice.

5 Little Balmer
Buckingham Industrial Park
Buckingham
MK18 1TF
UK

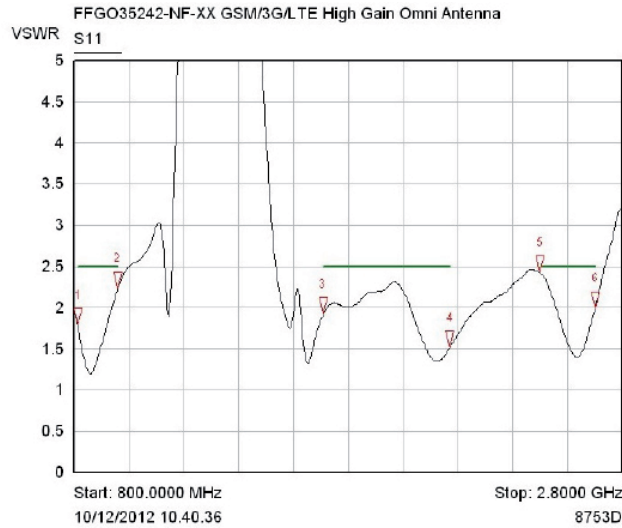
Tel: +44 (0)1280 824055
Fax: +44 (0)1280 817179
Email: sales@ead-ltd.com
Web: www.ead-ltd.com

EAD 
embedded antenna design ltd
Delivering Antenna Innovation

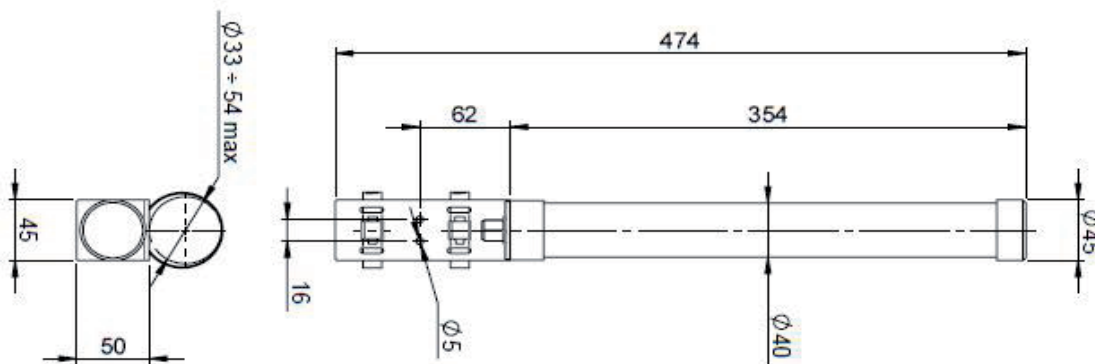


FGO| 2G/3G/4G High Gain Omni Antenna

Return Loss



Outline Drawing



Specifications subject to change without notice.

5 Little Balmer
Buckingham Industrial Park
Buckingham
MK18 1TF
UK

Tel: +44 (0)1280 824055
Fax: +44 (0)1280 817179
Email: sales@ead-ltd.com
Web: www.ead-ltd.com