

High Power Multi-Channel RF Transceiver Module

Product Description

The RC11XXHP-RC232 RF Transceiver Modules are compact surface-mounted high performance modules for FSK operation with embedded protocol. The modules are completely shielded and pre-certified for operation under the European and Indian radio regulations.

Applications

- Home and building automation
- AMR, Automatic Meter Reading
- Radio modems
- Alarm and security systems
- Point-of-sales terminals
- Bar code scanners
- Telemetry stations
- Fleet management



Features

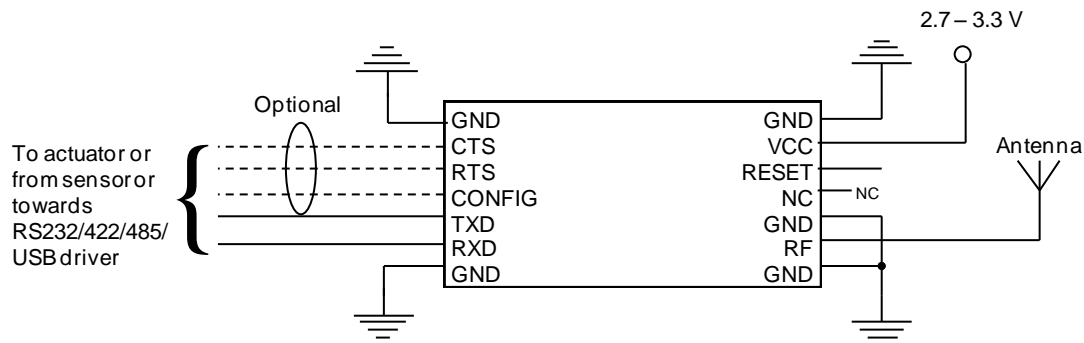
- High Power, long range (3-5 km Line-Of-Sight)
- Completely Shielded module for SMD mounting
- Embedded RC232™ protocol with Addressing and Error check
- Two-wire UART interface for easy RS232/422/485 wire replacement (handshake optional)
- No external components
- No configuration required for single-channel use
- Pin compatible with the low cost family RC11XX (including –MBUS and –KNX versions) and 2.4 GHz versions RC2500/2500HP from Radiocrafts
- Close to pin compatible with RC12XX narrowband family from Radiocrafts (available modules for China, Japan and Korea)
- 12.7 x 25.4 x 3.3 mm compact module for SMD mounting
- 2.7 – 3.3 V supply voltage, ultra low power modes
- Designed for EX compliance

Quick Reference Data

Parameter	RC1170HP-RC232	RC1180HP-RC232	Unit
Frequency bands	865.0 – 867.0	868.0 – 870.0	MHz
Number of channels	15	3 (HP)*, 18 (LP)*	
Data rate	1.2 – 100	1.2 – 76.8	kbit/s
Max output power	27	27	dBm
Sensitivity	-109	-109	dBm
Supply voltage	2.7 – 3.3	2.7 – 3.3	Volt
Current consumption, RX / TX	24 / 560	24 / 560	mA
Current consumption, SLEEP	Typ. 3.4	Typ. 3.4	uA
Temperature range	-40 to +85	-40 to +85	°C
Conforms with	G.S.R. 564(E)/168(E) (India)	EU R&TTE directive (EN300220, EN301489, EN60950)	
Module status	Full production	Full production	

*HP: High Power, LP: Low Power

Typical application circuit



See page 19 for additional schematic information regarding recommended Reset and Power supply filtering, and how to include a firmware upgrade connector.

Quick Product Introduction

How do I transmit data?

Send your data to the RXD pin on the module. Use the UART format with settings (19200, 8, 1, N, no flow control). Up to 128 bytes are buffered in the module. The module will transmit the data when

- the max packet length is reached
- the unique end character is sent
- the modem timeout limit is reached

The packet length, end character and timeout limit are configurable in-circuit.

How do I receive data?

Any received data packet with correct address and check sum will be sent on the TXD pin using the same UART format as for transmit.

What about the antenna?

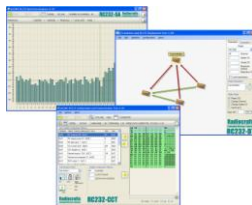
In most cases a simple quarter wavelength wire or a PCB track will do. Connect a piece of wire to the RF pin with length corresponding to the quarter of a wavelength. For space limited products, contact Radiocrafts and we will recommend the best antenna solution for your application.

How do I change the RF channel or any other parameter?

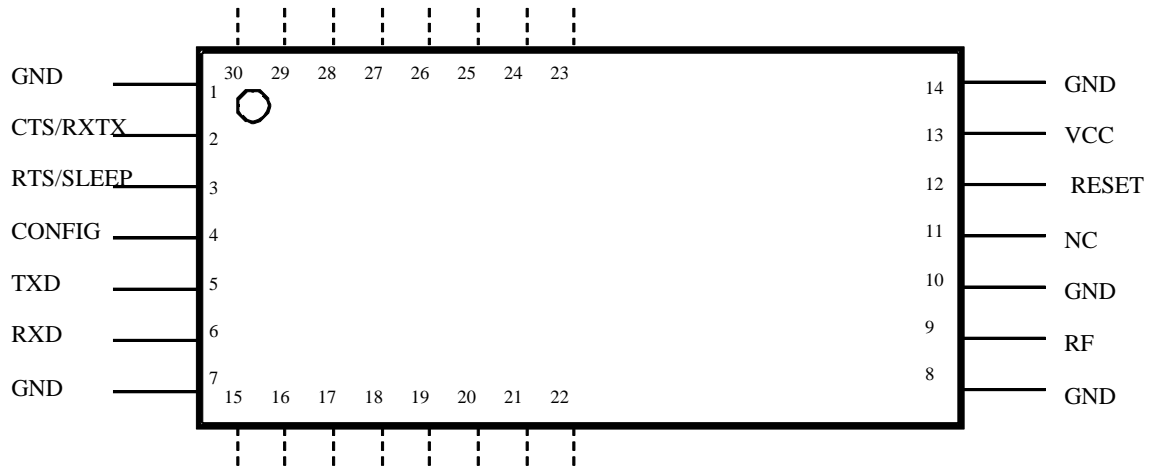
To change configurable parameters, assert the CONFIG pin, and send the command string using the same serial interface as for transmitting data. Parameters can be changed permanently and stored in non-volatile memory in the module.

RCTools

RCTools is a powerful and easy to use PC suite that helps you during test, development and deployment of the RC11XXHP-RC232. Visit www.radiocrafts.com for a free download and full documentation.



Pin Assignment



Pin Description

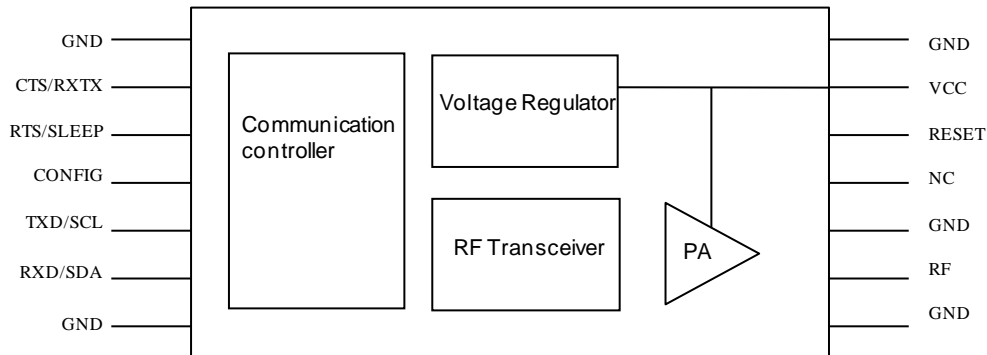
Pin no	Pin name	Pin type	Description	Equivalent circuit
1	GND		System ground	
2	CTS/RXTX	Output	UART Clear to Send or UART RXTX	<p>Input:</p> <p>Output:</p>
3	RTS/SLEEP	Input	UART Request to Send. Can be set low to enter Sleep mode if RTS handshake is not in use.	
4	CONFIG	Input	Configuration Enable. Active low. Should normally be set high.	
5	TXD	Output	UART TX Data	
6	RXD	Input	UART RX Data. Use external max 8k2 kohm pull-up resistor if connected to an open collector output from a host MCU or other high impedance circuitry like level shifters.	
7	GND		System ground	<p>GND</p>
8	GND		System ground	

9	RF		RF I/O connection to antenna	
10	GND		System ground	
11	NC		Not connected	
12	RESET	Input	Main reset (active low). Should normally be left open. Internal 12 kΩ pull-up resistor.	
13	VCC		Supply voltage input. Internally regulated.	
14	GND		System ground	
15-22	RESERVED		Test pins or pins reserved for future use. <i>Do not connect!</i>	
23-30	RESERVED		Test pins or pins reserved for future use. <i>Do not connect!</i>	

Note 1: For UART communication the TXD and RXD are used for serial data, and CTS and RTS for flow control (optional).

Note 2: The internal pull-ups on CONFIG and RTS/SLEEP pin are disabled in Sleep mode to minimise the sleep current.

Block Diagram



Circuit Description

The module contains a communication controller with embedded RC232™ protocol software, a high performance RF transceiver with an internal voltage regulator and a Power Amplifier.

The communication controller handles the radio packet protocol, the UART interface and controls the RF transceiver. Data to be sent by the host is received at the RXD pin and buffered in the communication controller. The data packet is then assembled with preamble, start-of-frame delimiter (SOF), address information and CRC check sum before it is transmitted on RF. The preamble and SOF is always used. The address and CRC are optional.

The RF transceiver modulates the data to be transmitted on RF frequency, and demodulates data that are received.

Received data are checked for correct address and CRC by the communication controller. If the address matches the modules own address, and no CRC errors were detected, the data packet is sent to the host on the TXD line after removing the header.

The asynchronous UART interface consists of RXD and TXD. Optionally CTS, RTS can be used for hardware handshake flow control. RXTX can be used to control the direction of an RS485 driver circuit.

When the CONFIG pin is asserted the communication controller interprets data received on the RXD pin as configuration commands. There are commands to change the radio channel, the output power, the destination address etc. Permanent changes of the configuration is also possible and are then stored in internal non-volatile memory.

The RF protocol and the configuration commands are described in detail in the RC232™ User Manual.

The supply voltage is connected to the VCC pin. The module contains an internal voltage regulator for the transceiver.

RC232™ Embedded Protocol

The module offers a buffered packet radio in the RC232™ embedded protocol. Using the buffered packet radio mode, all data to be sent is stored in the module before they are transmitted by the RF circuitry. Likewise, when data is received they are stored in the module before they are sent to the host. This allows the communication controller to add address information and to do error check of the data. In buffered mode the UART interface is used to communicate with the host.

The embedded protocol, configuration commands and configuration memory is described in the RC232™ User Manual. This protocol is used in a wide range of RF modules available from Radiocrafts. Please refer to the latest revision available on Radiocrafts web-site.

Power Management

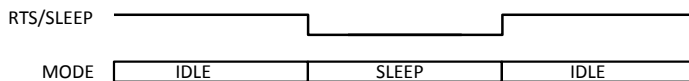
The module can be set in SLEEP mode in order to reduce the power consumption.

The low power SLEEP mode is entered by using the SLEEP command 'Z' after the module is set in configuration mode, or by pulling RTS/SLEEP pin low. The SLEEP pin is default off and must be enabled in configuration memory before use. In sleep mode the module will not receive or detect incoming data, neither from the host (UART port) nor from the RF transceiver. The module is awakened from the SLEEP mode by a positive edge on the CONFIG pins if the module was set in SLEEP mode using the 'Z' command. The module is awakened by a positive edge on the RTS/SLEEP pin if this pin were used to enter SLEEP mode. CONFIG must be high when awakening the module to avoid setting the module directly in configuration mode. UART data on RXD to the module should be avoided in sleep mode.

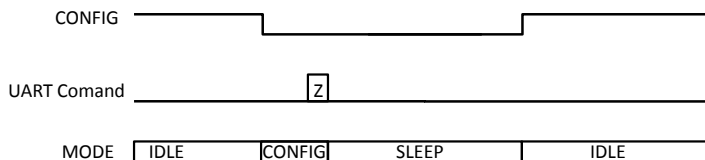
All configuration settings and RAM values are retained during Sleep. The pull-ups on RTS/SLEEP and CONFIG pin are disabled during sleep mode in order to minimise the sleep current consumption.

If the module is shut completely off, all configuration settings in non-volatile memory is restored, but values in RAM are overwritten with default settings.

Enter SLEEP Mode Using RTS/SLEEP pin



Enter SLEEP Mode Using CONFIG and Z Comand

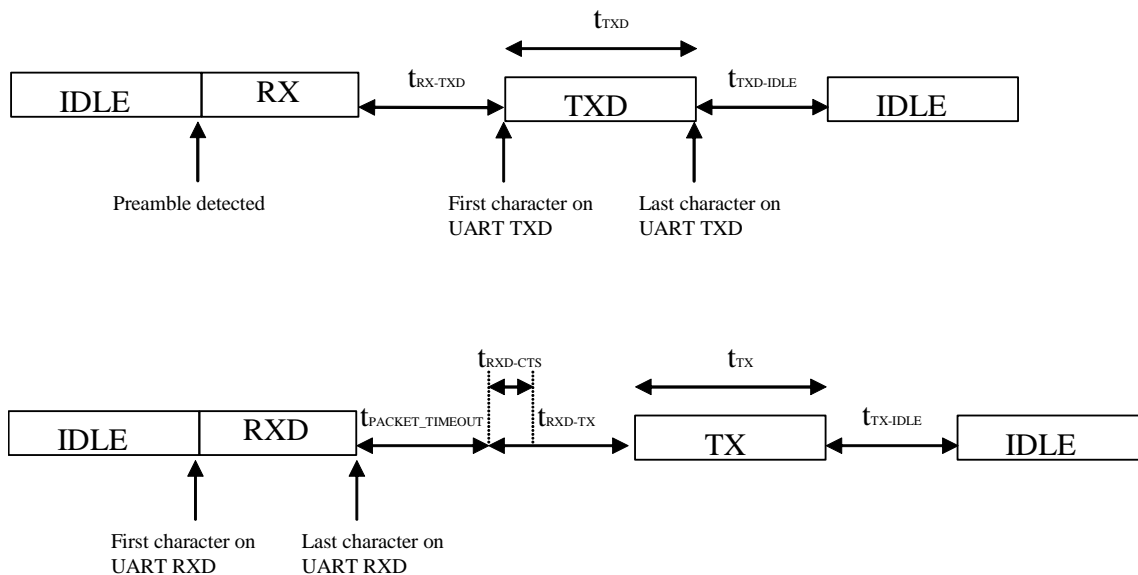


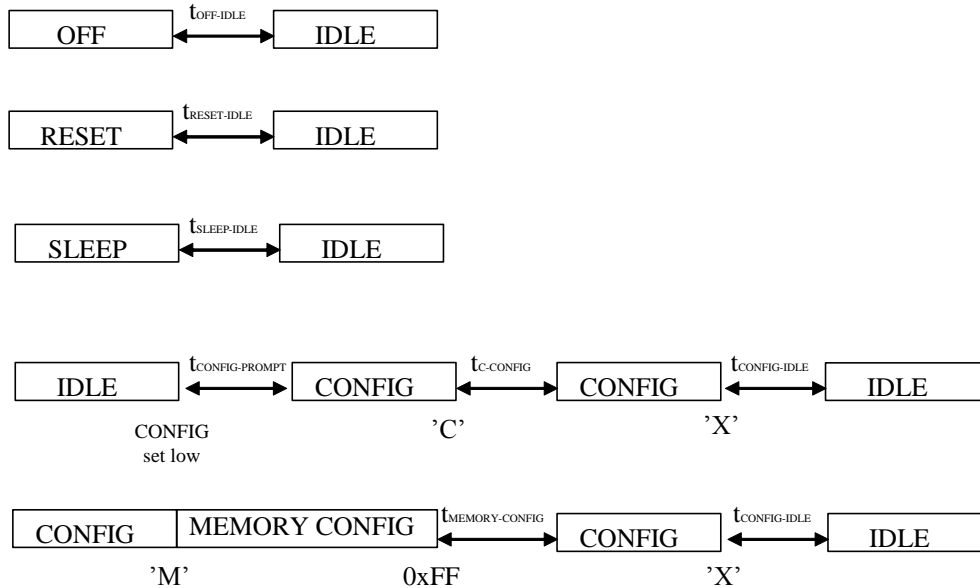
Timing Information

The figure and table below shows the timing information for the module when changing between different operating states.

The IDLE state is the normal state where the module search for preamble on the air and wait for a character to be received on the UART. RXD is the state when receiving characters from the host filling up the internal buffer. TX state is when the data is transmitted on the air. RX state is when data is received from the air after preamble detection. TXD is the state where the received data is sent to the host on the UART.

CONFIG is the state entered by asserting the CONFIG pin and used during parameter configuration, while MEMORY CONFIG is the sub-state entered by the 'M' command where the configuration memory is being programmed. Note the limitation on maximum number of write cycles using the 'M' command, see Electrical Specifications.





Symbol	Value	Description / Note
$t_{\text{RX-TXD}}$	180 us	Time from last byte is received from the air until first character is sent on the UART
t_{TXD}	Min 590 us	$t_{\text{TXD}} = \# \text{ bytes received} \times 590 \text{ us/char}$ (10 bits at 19.2 kBd + 70 us delay per character)
$t_{\text{TXD-IDLE}}$	900 us	Time from last character is sent on the UART until module is in IDLE mode (ready for RXD and RX)
$T_{\text{RXD-CTS}}$	20 us	Time from last character is received by the UART (including any timeout) until CTS is activated
$t_{\text{RXD-TX}}$	960 us	Time from last character is received by the UART (including any timeout) until the module sends the first byte on the air.
$T_{\text{TX-IDLE}}$	960 us	Time from last character is sent on the air until module is in IDLE mode (ready for RXD and RX)
$t_{\text{OFF-IDLE}}$	3.2 ms	
$t_{\text{RESET-IDLE}}$	3.0 ms	
$t_{\text{SLEEP-IDLE}}$	1.28 ms	
$t_{\text{CONFIG-PROMPT}}$	590 us	Time from CONFIG pin is set low until prompt (">")
$t_{\text{C\#-CONFIG}}$	1.1 ms	Delay after channel-byte is sent until prompt (">"). (For other commands like 'M', 'T' there is no delay but immediate prompt)
$t_{\text{MEMORY-CONFIG}}$	30.52 ms	In this period the internal flash is programmed. <i>Do not reset, turn the module off, or allow any power supply dips in this period as it may cause permanent error in the Flash configuration memory. After 0xFF the host should wait for the '>' prompt before any further action is done to ensure correct re-configuration.</i>
$T_{\text{CONFIG-IDLE}}$	1.42 ms	
t_{TX}	Min 20 ms	$t_{\text{TX}} = \# \text{ bytes to send} \times 1.67 \text{ ms/byte}$ (at 4.8 kbit/s) + 7 bytes preamble, sync and length + 2 bytes address + 2 bytes CRC
T_{RSSI}	4 ms	Time from end of S command to start of RSSI byte received on UART

RF Frequency, Output Power Levels and Data Rates

The following table shows the available RF channels and their corresponding frequencies, nominal output power levels and available data rates.

Model	RF channel	Output power	Data rate
RC1170HP-RC232	1: 865.100 MHz	1: 0 dBm	1: 1.2 kbit/s
	2: 865.300 MHz	2: 10 dBm	2: 4.8 kbit/s
	3: 865.500 MHz	3: 14 dBm	3: 19.0 kbit/s
	4: 865.700 MHz	4: 25 dBm	4: 32.768 kbit/s
	5: 865.900 MHz	5: 27 dBm	5: 76.8 kbit/s
	6: 866.100 MHz		6: 100 kbit/s
	7: 866.300 MHz		7: For future use
	8: 866.500 MHz		
	9: 866.700 MHz		
	10: 866.900 MHz		
	11: 867.100 MHz		
	12: 867.300 MHz		
	13: 867.500 MHz		
	14: 867.700 MHz		
	15: 867.900 MHz		
RC1180HP-RC232	1: 868.050 MHz	1: 0 dBm	1: 1.2 kbit/s
	2: 868.150 MHz	2: 10 dBm	2: 4.8 kbit/s
	3: 868.250 MHz	3: 14 dBm	3: 19.0 kbit/s
	4: 868.350 MHz	4: 25 dBm	4: 32.768 kbit/s
	5: 868.450 MHz	5: 27 dBm	5: 76.8 kbit/s
	6: 868.550 MHz		6: NA
	7: 868.650 MHz		7: For future use
	8: 868.750 MHz		
	9: 868.850 MHz		
	10: 868.950 MHz		
	11: 869.050 MHz		
	12: 869.150 MHz		
	13: 869.525 MHz		
	14: 869.750 MHz		
	15: 869.850 MHz		
	16: 869.950 MHz		
	17: 869.475 MHz		
	18: 869.575 MHz		

Channel 1-16 corresponds with the channels in RC1180 (non-HP-version), and channel 13, 17 and 18 are the only channels to be used with 500mW settings in Europe. For channels 1, 6, 7, 12, 14 and 16 the maximum RF data rate is 19.2 kbit/s due to limitations in modulation bandwidth at the given sub band-edge. For channel 17 and 18 the maximum RF data rate is 1.2 kbit/s and +25 dBm output power due to limitations in modulation bandwidth at the 869.4-869.65 MHz band-edges. RF channel and output power level can be set using the configuration commands 'C' and 'P' respectively. The data rate can *only* be changed in configuration memory by using the 'M' command setting RF_DATA_RATE. The *default* RF channel and output power level can be set in the configuration memory by using the 'M' command setting RF_CHANNEL and RF_POWER. The default values are used after power ON and RESET. The default factory settings are shown in **bold** in the table above.

For more details on changing the RF channel, output power or data rate, refer to the description of the configuration commands.

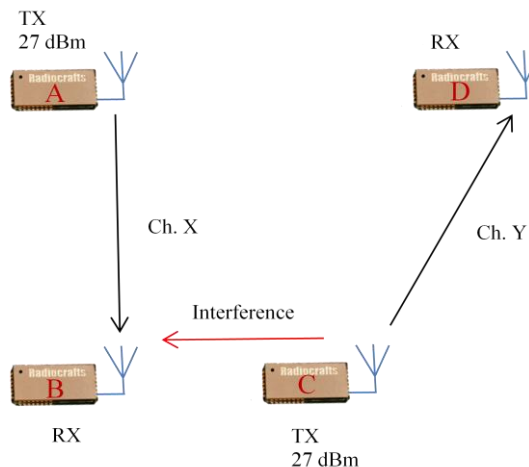
The use of RF frequencies, maximum allowed RF power and duty-cycles are limited by national regulations. The RC1180HP-RC232 is complying with the applicable directives within the European Union when used within these limitations. The RC1170HP-RC232 is complying with the applicable directives in India when used within the local regulations for India.

Multi-channel usage

All modules from Radiocrafts embed a high performance transceiver which can transmit and receive on one out of several channels. It is clear that other transmitters present on the same channel at the same time can cause interference (from bit errors until no detection of the wanted signal) if they have a higher signal level from the non-friendly transmitter than the wanted signal present at the receiver. To avoid this, configure the radio to use the channel with least interference. At 868 MHz, radios are allowed to transmit only short bursts before leaving the channel free for other radios, thus the interference can be expected to be of short duration.

Co-located radios

Precautions have to be taken in a so-called co-location (also named collocation) operation of transceivers. This means reception and transmission at different channels at the same time with the intention that the two channels shall be able to operate without disturbing each other.



As indicated in the figure above a module B is receiving a message from A on channel X while another module C is transmitting **at the same time** on another channel Y (a message intended for module D). As any radio device has a limited suppression of signals at any other channel, some power of the signal at the other frequency will enter into the receiver B. Normally, the suppression increases versus the frequency separation between the two channels. The phrase “adjacent” means the channel next to while the definition “alternate” means the channel(s) further apart. The ability of a receiver to reject any out-of-band interferer is named ACR, adjacent channel rejection.

Friis formula and empirical adaptations of this predicts the path loss between a transmitter and a receiver. The path loss increases $(1/R)^n$ where R is the radius and n is between 2 and 5 and heavily depending on the surroundings. Knowing the TX output power, the path loss between A-B decides the amount of power entering the receiver B as well as the path loss between B-C decides the amount of interferer power entering the same receiver. If we assume there is identical

antenna performance on A and C and they have identical output power it is clear that when the path loss A-B equals ACR then the interferer C can be placed in immediate proximity of B. As the path loss increases with from R^2 to R^5 , C has to be moved further and further apart from B as the distance A-B increases (causing lowered received friendly signal power).

At a distance when the signal power from A reaches the sensitivity level of B, C for all practical reasons has to be so far from B that simultaneous operation has very limited practical usage. Useful collocation operation is when we are well above the sensitivity level of B.

Another important parameter for ACR is the selected RF data rate, as this parameter defines the receiver bandwidth and as such, the rejection of interference at a fixed frequency deviation. As the regulatory bandwidth for 500mW operation is limited, the channels have to be close in frequency, and it is not possible to have collocation combined with high data rate. Only data rate 1.2 kbps can be used in a collocated scenario, higher data rates must rely on a time-division channel usage and then on channel 13 only.

The values for RC1180HP-RC232 are shown below. The RSSI value is read via the embedded detector and performance is measured with Radiocrafts Demo Boards equipped with quarter wave whip-antennas and inside an office building.

Conditions: Data rate setting 1.2 kbps with FSK modulation, operation on various channels and interferer continuously transmitting on another channel

TX, 27 dBm	Distance to interferer at given reception levels for friendly signal					
	Channel 17			Channel 18		
	-60 dBm	-80 dBm	-100 dBm	-60 dBm	-80 dBm	-100 dBm
Ch. 13	3 m	20-25 m	N/A	3 m	20-25 m	N/A
Ch. 17	X	X	X	1 m	10-12 m	N/A
Ch. 18	1 m	10-12 m	N/A	X	X	X

General recommendations:

Due to ACR versus channel bandwidth, collocation of equipment is not possible on other RF data rates than 1.2 kbps. Practical collocation can be done if the signal strength of the friendly channel is above -80 dBm.

RSSI Reading

The module provides a digital Received Signal Strength Indicator (RSSI) through the 'S' command, or attached to received messages. The module returns an 8 bit character (one byte) indicating the current input signal strength (followed immediately by a second character which is the prompt '>') when in command mode). The signal strength can be used as an indication of fading margin, or as a carrier sense signal to avoid collisions.

The signal strength measure by the S command is the instantaneous value. The RSSI value appended to a received message (RSSI_MODE = 1) is the signal strength of that received packet.

The RSSI value increases with increased input signal strength in 0.5 dB steps. Input signal strength is given by (typ.):

$$P = - \text{RSSI} / 2 \text{ [dBm]}$$

Temperature Reading

The module provides readings of an internal digital temperature monitoring sensor (TEMP) through the 'U' command. The module returns an 8 bit character (one byte) indicating the current temperature in degrees Celsius (°C) followed immediately by a second character which is the prompt '>').

The TEMP value increases with increased temperature in 1 °C steps and accuracy of +/- 2 °C. Temperature is given by:

$$T = \text{TEMP(dec)} - 128 \text{ [°C]} \text{ (example: TEMP=0x98 equals +24 °C)}$$

Power Supply voltage Reading

The module provides readings of an internal power supply voltage monitoring sensor (VCC) through the 'V' command. The module returns an 8 bit character (one byte) indicating the current power supply voltage level followed immediately by a second character which is the prompt '>'). The command can be useful for battery power monitoring.

The VCC value increases with increased power supply voltage in 30 mV steps. The power supply voltage is given by:

$$V = \text{VCC(dec)} * 0.030 \text{ [V]} \text{ (example: TEMP=0x68 equals 3.12 V)}$$

Module Configuration

The configuration of the module can be changed in-circuit from the host during operation, at the time of installation of the equipment, at the manufacturing test, or even as a standalone module. The configuration is changed sending commands on the UART interface after the module is set in configuration mode. The configuration mode is entered by asserting the CONFIG pin (set low).

In command mode the module will respond by sending a '>' prompt on the TXD pin. This indicates that the module is ready to receive commands. The CONFIG pin can then be de-asserted. Note that the CONFIG pin must be de-asserted *before* the Exit command ('X') is sent to the module in order to return to normal operation.

After a command is executed, the module responds with the '>' prompt character again indicating it is ready for a new command. Do not send a new command before the '>' prompt is received. The time required to execute a command can vary depending on the command (see the Timing Information section). There is no '>' prompt after the 'X' exit command.

The parameters that are set by commands directly take immediate effect after returning to normal operation (IDLE), but will not be stored in non-volatile memory, and will be lost in case the supply power is turned off or if the module is reset. These parameters are for example the radio channel and output power.

A list of commands is shown in the table below with typical values for RC1180HP-RC232.

Parameter	Command	Argument in hex (decimal)	Note
Channel	'C' – 0x43	0x01-0x0D (1-13)	Data is stored in volatile memory only. For variants not listed here, refer to the specific data sheet.
Output power	'P' – 0x50	0x01-0x05 (1-5)	Data is stored in volatile memory only.
Signal Strength (RSSI)	'S' – 0x53	Returns one byte indicating the signal strength	
Destination address	'T' – 0x54	0x00 – 0xFF (0-255)	Data is stored in volatile memory only.
Temperature monitoring	'U' – 0x55	Returns one byte indicating the temperature.	See page 12 for details
Battery monitoring	'V' – 0x56	Returns one byte indicating the power supply voltage.	See page 12 for details
Memory configuration	'M' – 0x4D	(Address, Data): see list of parameters below. 0xFF exits memory configuration.	Used to enter memory configuration menu. Parameters changed are stored in non-volatile memory.
Memory Reset	'@RC'	No arguments, but CONFIG must be asserted low during this command.	Resets the configuration memory back to factory default values in the whole non-volatile memory.
Exit command	'X' – 0x58	(none)	Exit to normal operation mode. All changes of parameters take effect.

Sleep mode	'Z' – 0x5A	(none)	CONFIG pin must be asserted while in SLEEP mode. Exit sleep mode by releasing CONFIG pin.
Test mode 0	'0' – 0x30	(none)	List all configuration memory parameters
Test mode 1	'1' – 0x31	(none)	TX carrier
Test mode 2	'2' – 0x32	(none)	TX modulated signal PN9 sequence
Test mode 3	'3' – 0x33	(none)	TX Off, RX mode
Test Mode 4	'4' – 0x34	(none)	Radio off mode (RX and TX off)

Note: ASCII characters are written as 'X', hexadecimal numbers are written like 0x00, and decimal numbers are written like 10 throughout the text. A table of ASCII characters and their respective hex and decimal values are found in the Appendix.

Commands must be sent as ASCII characters or their corresponding binary value. All arguments must be sent as binary values to the module (not as ASCII representation for hex or decimal). Any invalid command will be ignored and the '>' prompt will be re-sent. The CONFIG line must be de-asserted after the first '>' prompt was received, but before the 'X' command.

To make permanent changes to default values and other parameters, the Memory Configuration command 'M' is used. This command should be followed by pairs of byte being the memory address and the new value to be stored at that address. In order to exit the Memory Configuration mode command 'X' must be sent.

Example:

To select RF channel 3, send the follow sequence after asserting the CONFIG line and the '>' prompt is received:

Command	Hex	Response	Comment/Note
CONFIG asserted		>	De-assert CONFIG after '>' prompt
'C'	0x43	>	
3	0x03	>	Wait for '>' prompt
[A new command could be issued here]			
'X'	0x58	(none)	Module returns to IDLE state

It is important to enter Test mode 3 before exiting the configuration mode ('X') if Test mode 1 or 2 has been used. This will ensure proper operation in normal mode.

Configuration Memory

The table below shows the complete list of configurable parameters stored in non-volatile memory. These values can be changed using the 'M' command. All addresses and arguments must be sent as binary values to the module (not as ASCII representation for hex or decimal).

Parameter	Description	Address hex	Argument dec	Factory setting hex (dec)	Comment
Radio configuration					
RF_CHANNEL	Default RF channel	0x00	RC1170HP: 1-15 RC1180HP: 1-18	0x04 (4) 0x0D (13)	See table page 9 for details
RF_POWER	Default RF output power	0x01	1-5	0x05 (5)	See table page 9 for details
RF_DATA_RATE	Default RF data rate	0x02	RC11x0HP: 1-6	0x03 (3)	See table page 9 for details
SLEEP_MODE	Sleep Mode	0x04	0: SLEEP pin disabled 1: reserved 2: SLEEP pin enabled	0x00 (0)	When enabled, the module will enter sleep mode by asserting sleep pin low. Do not use in combination with enabled UART flow control.
RSSI_MODE	Append RSSI	0x05	0-1	0x00 (0)	0: No RSSI append 1: RSSI append
Radio packet configuration					
PACKET_LENGTH_H	Max packet length high byte.	0x0E	0x01-0x03 (0-3)	0x00 (0)	Packet length > 128 was introduced in FW rev 1.28. For older revisions always use PACKET_LENGTH_H=0. If PACKET_LENGTH_H=0 for FW rev 1.28 and newer, then the packet format is backward compatible with FW rev 1.27 and older.
PACKET_LENGTH_L	Max packet length low byte.	0x0F	0x01-0x80 (1-128)	0x80 (128)	
PACKET_TIMEOUT	Time before modem time-out and transmitting the buffer	0x10	0x00-0xFE (0-254) 0x00 (0): None 0x01 (1): 32 ms 0x02 (2): 48 ms 0x03 (3): 64 ms 0x7C (124): 2 s 0xF9 (249): 4 s	0x7C (124)	None means packet timeout is disabled (not 0 s). Timeout value is (PACKET_TIMEOUT x 16 ms) + 0/16 ms min/max 0xFE (254) is max, giving 4.080 sec. Default is 2 s = 0x7C (124)
PACKET_END_CHARACTER		0x11	0x00: Off 0x01-0xFF: On	0x00	0: No end character 1-255: Use value as end character
Medium access, addressing and network management					
ADDRESS_MODE		0x14	0, 2, 8	0x02 (2)	0: No addressing 2: 1 byte addressing 8: 4 byte addressing (FW rev 1.28 and newer) Using addressing adds the SID and DID bytes to the radio packet.
CRC_MODE		0x15		0x02 (2)	0: None 2: CRC16
UNIQUE_ID1 (UID1)		0x19	0-255	0x01 (1)	ADDRESS_MODE=8 UID=UID4:UID3:UID2:UID1 SID=SID4:SID3:SID2:SID1 DID=DID4:DID3:DID2:DID1 BID=BID4:BID3:BID2:BID1
SYSTEM_ID1 (SID1)		0x1A	0-255	0x01 (0)	
UNIQUE_ID2 (UID2)		0x1B	0-255	0x01 (1)	
SYSTEM_ID2 (SID2)		0x1C	0-255	0x01 (0)	
UNIQUE_ID3 (UID3)		0x1D	0-255	0x01 (1)	
SYSTEM_ID3 (SID3)		0x1E	0-255	0x01 (0)	

UNIQUE_ID4 (UID4)		0x1F	0-255	0x01 (1)	ADDRESS_MODE=2 UID=UID1 SID=SID1 DID=DID1 BID=BID
SYSTEM_ID4 (SID4)		0x20	0-255	0x01 (0)	
DESTINATION_ID1 (DID1)		0x21	0-255	0x01 (1)	
DESTINATION_ID2 (DID2)		0x22	0-255	0x01 (1)	
DESTINATION_ID3 (DID3)		0x23	0-255	0x01 (1)	
DESTINATION_ID4 (DID4)		0x24	0-255	0x01 (1)	
BROADCAST_ADDRESS		0x28	0-255	0xFF (255)	
Data and configuration interface, UART Serial Port					
UART_BAUD_RATE	Baud rate	0x30	0x00: Not used 0x01: 2400 0x02: 4800 0x03: 9600 0x04: 14400 0x05: 19200 0x06: 28800 0x07: 38400 0x08: 56700 0x09: 76800 0x0A: 115200 0x0B: 230400	0x05 (5)	BE CAREFUL IF CHANGING AS HOST MAY LOOSE CONTACT WITH MODULE! Does not take effect until module is re-booted / reset.
UART_NUMBER_OF_BITS		0x31	8: 8 bits 9: 8 bits +1 parity	0x08 (8)	BE CAREFUL IF CHANGING AS HOST MAY LOOSE CONTACT WITH MODULE! Parity bit only an option when address 0x31=0x09 (9 bits)
UART_PARITY		0x32	0: even parity 1: odd parity	0x00 (0)	
UART_STOP_BITS		0x33	1: 1 stop bit 2: 2 stop bits	0x01 (1)	Does not take effect until module is re-booted / reset.
UART_FLOW_CTRL	UART flow control	0x35	0: None 1: CTS only 3: CTS/RTS 4: RXTX(RS485)	0x00 (0)	
PART_NUMBER		0x3C-0x49		RCxxxxH P-RC232	
HW_REV_NO		0x4B-0x4E		x.yz	x, y and z; Any number 0d-9d
FW_REV_NO		0x50-0x53		x.yz	x, y and z; Any number 0d-9d

Note: Address locations not listed should not be changed from the default value.

Antenna Connection

The antenna should be connected to the RF pin. The RF pin is matched to 50 Ohm. If the antenna connector is placed away from the module at the motherboard, the track between the RF pin and the connector should be a 50 Ohm transmission line.

On a two layer board made of FR4 the width of a microstrip transmission line should be 1.8 times the thickness of the board, assuming a dielectric constant of 4.8. The line should be run at the top of the board, and the bottom side should be a ground plane.

Example: For a 1.6 mm thick FR4 board, the width of the trace on the top side should be 1.8 x 1.6 mm = 2.88 mm.

The simplest antenna to use is the quarter wave whip antenna. A quarter wave whip antenna above a ground plane yields 37 Ohm impedance and a matching circuit for 50 Ohm are usually not required.

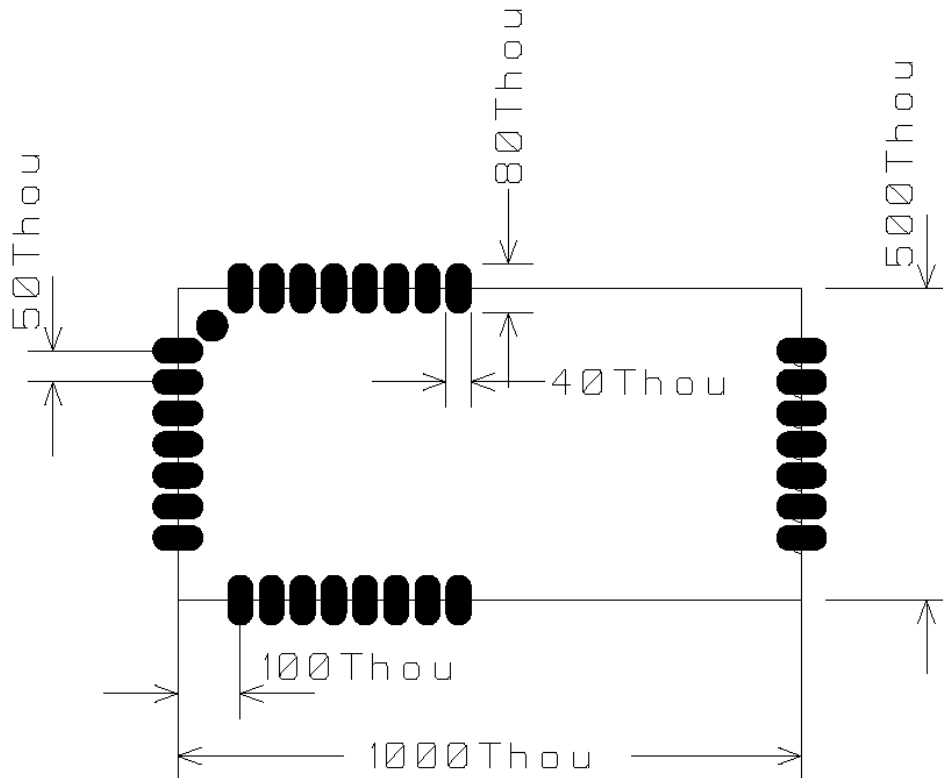
A PCB antenna can be made as a copper track where the ground plane is removed on the back side. The rest of the PCB board should have a ground plane as large as possible, preferably as large as the antenna itself, to make it act as a counterweight to the antenna. If the track is shorter than a quarter of a wavelength, the antenna should be matched to 50 ohms.

The lengths of a quarter wave antenna for different operational frequencies are given in the table below.

Frequency [MHz]	Length [cm]
865-868	8.2

PCB Layout Recommendations

The recommended layout pads for the module are shown in the figure below. All dimensions are in thousands of an inch (mil). The circle in upper left corner is an orientation mark only, and should not be a part of the copper pattern.



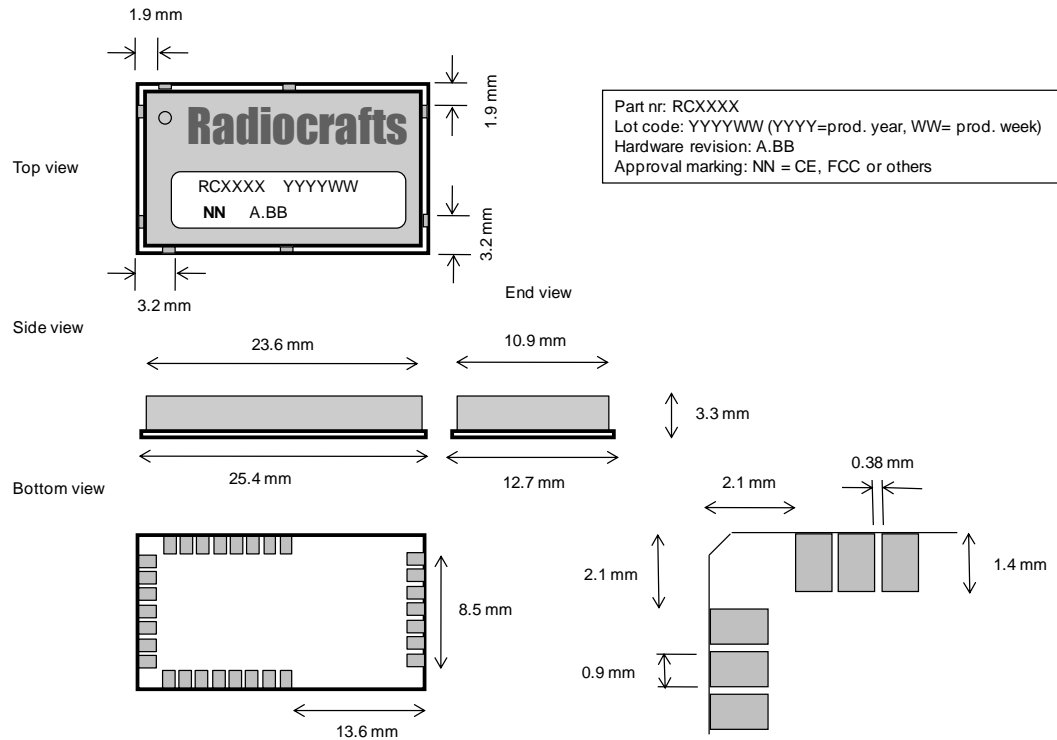
A PCB with two or more layers and with a solid ground plane in one of the inner- or bottom layer(s) is recommended. All GND-pins of the module shall be connected to this ground plane with vias with shortest possible routing, one via per GND-pin.

On the back side of the module there are several test pads. These test pads shall not be connected, and the area underneath the module should be covered with solder resist. If any routing or vias is required under the module, the routing and vias must be covered with solder resist to prevent short circuiting of the test pads. It is recommended that vias are tented.

Reserved pins should be soldered to the pads but the pads must be left floating.

Note that Radiocrafts technical support team is available for schematic and layout review of your design.

Mechanical Drawing



Drawings are not to scale

Alignment marking: On the top side there are 8 alignment markers which align with the corresponding pad on the bottom side.

Mechanical Dimensions

The module size is 12.7 x 25.4 x 3.3 mm.

Carrier Tape and Reel Specification

Carrier tape and reel is in accordance with EIA Specification 481.

Tape width	Component pitch	Hole pitch	Reel diameter	Units per reel
44 mm	16 mm	4 mm	13"	Max 1000

Soldering Profile Recommendation

JEDEC standard IEC/JEDEC J-STD-020B (page 11 and 12), Pb-Free Assembly is recommended.

The standard requires that the heat dissipated in the "surroundings" on the PCB is taken into account. The peak temperature should be adjusted so that it is within the window specified in the standard for the actual motherboard.

Aperture for paste stencil is normally areal-reduced by 20-35%. A nominal stencil thickness of 0.1 - 0.12 mm is recommended. Consult your production facility for best experience aperture reduction.

Absolute Maximum Ratings

Parameter	Min	Max	Unit
Supply voltage, VCC	-0.3	3.6	V
Voltage on any pin	-0.3	VCC+0.3V	V
Input RF level		10	dBm
Storage temperature	-50	150	°C
Operating temperature	-40	85	°C



Caution ! ESD sensitive device.
Precaution should be used when handling the device in order to prevent permanent damage.

Under no circumstances the absolute maximum ratings given above should be violated. Stress exceeding one or more of the limiting values may cause permanent damage to the device.

Electrical Specifications

T=25°C, VCC = 3.3V if nothing else stated.

Parameter	Min	Typ.	Max	Unit	Condition / Note
Operating frequency RC1170HP RC1180HP	865.0 868.0		867.0 870.0	MHz	
Number of channels RC1170HP RC1180HP		15 18			
Input/output impedance		50		Ohm	
Data rate		1.2 4.8 19.0 32.768 76.8 100		kbit/s	For RC1170HP only
Frequency stability			+/-40	ppm	Including 10 years of aging.
Frequency stability aging			1	ppm/year	Starting after 10 years
Transmit power	0		27	dBm	
FSK deviation	5.2		127	kHz	Depends on data rate
Channel Filter bandwidth	58		540	kHz	Depends on data rate
Spurious emission, TX < 1 GHz > 1 GHz 47 – 74 MHz 87.5 – 118 MHz 174 – 230 MHz 470 – 862 MHz			-36 -30 -54 -54 -54 -54	dBm	
Sensitivity 1.2 kbit/s 4.8 kbit/s 19.0 kbit/s 32.768 kbit/s 76.8 kbit/s 100 kbit/s		-109 -106 -104 -101 -99 -97		dBm	Measured at BER 10(-3) For RC1170HP only
Adjacent channel rejection		27		dB	
Alternate channel selectivity		36		dB	
Image channel rejection		28		dB	

Blocking / Interferer rejection / desensitization +/- 1 MHz +/- 2 MHz +/- 5 MHz +/- 10 MHz	30 35 50 60	43 49 68 72		dB	Wanted signal 3 dB above sensitivity level, CW interferer. Minimum numbers corresponds to class 2 receiver requirements in EN300220.
Saturation		-14		dBm	
Spurious emission, RX			-57	dBm	
Supply voltage	2.7		3.3	V	
Current consumption, RX/IDLE		24		mA	Apply over entire supply voltage range
RC1170HP/1180HP TX Current consumption, TX 0 dBm 10 dBm 14 dBm 25 dBm 27 dBm		20 60 80 530 560		mA	
Current consumption, SLEEP		3.4	10.0	uA	
Digital I/O Input logic level, low Input logic level, high Output logic level, low (1µA) Output logic level, high(-1µA)	70 % 0 TBD		30 % TBD VCC	V	Of VCC Of VCC
RESET pin Input logic level, low Input logic level, high	70 %		30 %	V	Minimum 250 ns pulse width
UART Baud Rate tolerance		+/- 2		%	UART receiver and transmitter
Configuration memory write cycles	1000				The guaranteed number of write cycles using the 'M' command is limited

Regulatory Compliance Information

The use of RF frequencies and maximum allowed RF power is limited by national regulations. The RC1180HP-RC232 has been designed to comply with the R&TTE directive 1999/5/EC. According to R&TTE directives, it is the responsibility of Radiocrafts' customers (i.e. RC11XXHP-RC232 end user) to check that the host product (i.e. final product) is compliant with R&TTE essential requirements. The use of a CE marked radio module can avoid re-certification of the final product, provided that the end user respects the recommendations given by Radiocrafts. A Declaration of Conformity is available from Radiocrafts on request.

The relevant regulations are subject to change. Radiocrafts AS do not take responsibility for the validity and accuracy of the understanding of the regulations referred above. Radiocrafts only guarantee that this product meets the specifications in this document. Radiocrafts is exempt from any responsibilities related to regulatory compliance.

Power Supply

Noisy external circuitry may under certain scenarios affect the transmitted signal on RC11XXHP-RC232 and precaution should be taken for EU R&TTE conformity. Example of circuits that can generate noise on the RC11XXHP-RC232 transmitted spectrum may be DC/DC converters and some level converters like RS232 and RS485. To increase spectrum margin it is important to add an EMI filter bead on the VCC pin of the RC11XXHP-RC232 module. Alternatively the RC11XXHP-RC232 may be powered from a separate voltage regulator. This will ensure that potential switching noise is filtered out from the power supply to the RC11XXHP-RC232. A block diagram of a typical PC serial port interface is illustrated below.

Suggested part numbers:

Component	Manufacturer	Part number
EMI filter bead, 1500 mA	Murata	Ordering code BLM18SG331TN1

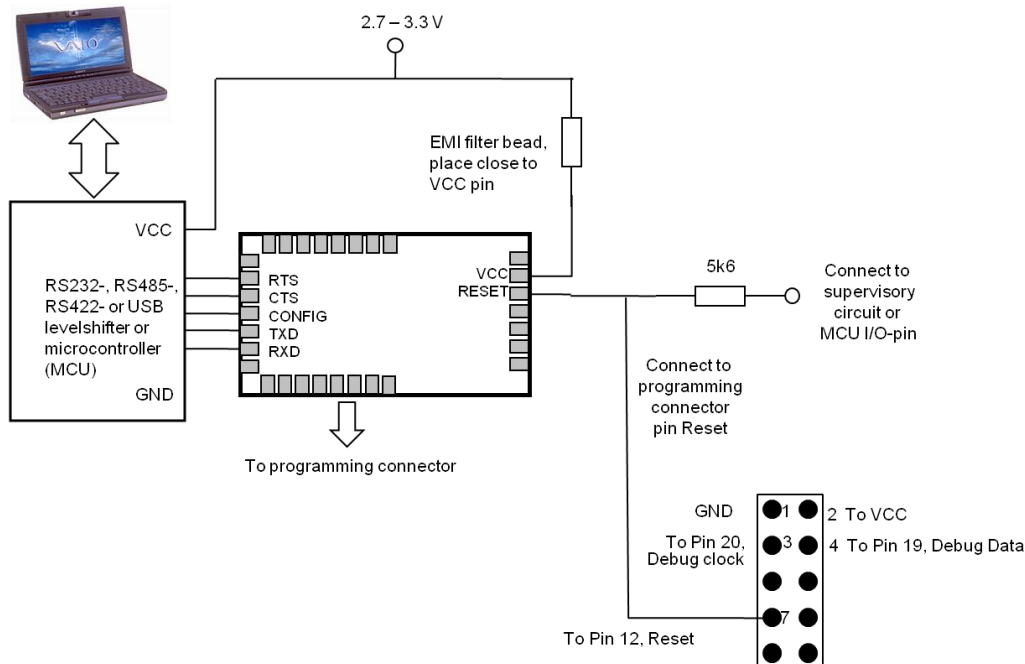
Programming Interface

For future firmware updates and possible custom variants it is recommended to include a 2x5 pins programming connector to the module programming pins. The connector should be a 2.54 mm pitch pin-row (same pitch in both directions), SMD or through-hole version, with the connections shown below.

Reset Pin

It is recommended to connect Reset to either a supervisory circuit or microcontroller I/O-pin. If the Reset is driven by a push-pull output, a series resistor of 5k6 shall be connected in series to allow an external programmer used for firmware upgrade to assert Reset low.

In noisy surroundings and where RESET is not driven by a push-pull output, it is recommended that the Reset-pin is pulled to VCC via one or more resistors where the equivalent pull-up resistor is close to 5k6.



Appendix: ASCII Table

HEX	DEC	CHR	CTRL
0	0	NUL	^@
1	1	SOH	^A
2	2	STX	^B
3	3	ETX	^C
4	4	EOT	^D
5	5	ENQ	^E
6	6	ACK	^F
7	7	BEL	^G
8	8	BS	^H
9	9	HT	^I
0A	10	LF	^J
0B	11	VT	^K
0C	12	FF	^L
0D	13	CR	^M
0E	14	SO	^N
0F	15	SI	^O
10	16	DLE	^P
11	17	DC1	^Q
12	18	DC2	^R
13	19	DC3	^S
14	20	DC4	^T
15	21	NAK	^U
16	22	SYN	^V
17	23	ETB	^W
18	24	CAN	^X
19	25	EM	^Y
1A	26	SUB	^Z
1B	27	ESC	
1C	28	FS	
1D	29	GS	
1E	30	RS	
1F	31	US	
20	32	SP	
21	33	!	
22	34	"	
23	35	#	
24	36	\$	
25	37	%	
26	38	&	
27	39	'	
28	40	(
29	41)	
2A	42	*	
2B	43	+	
2C	44	,	
2D	45	-	
2E	46	.	
2F	47	/	
30	48	0	
31	49	1	
32	50	2	
33	51	3	
34	52	4	
35	53	5	
36	54	6	
37	55	7	
38	56	8	
39	57	9	
3A	58	:	
3B	59	;	
3C	60	<	
3D	61	=	
3E	62	>	
3F	63	?	

HEX	DEC	CHR
40	64	@
41	65	A
42	66	B
43	67	C
44	68	D
45	69	E
46	70	F
47	71	G
48	72	H
49	73	I
4A	74	J
4B	75	K
4C	76	L
4D	77	M
4E	78	N
4F	79	O
50	80	P
51	81	Q
52	82	R
53	83	S
54	84	T
55	85	U
56	86	V
57	87	W
58	88	X
59	89	Y
5A	90	Z
5B	91	[
5C	92	\
5D	93]
5E	94	^
5F	95	_
60	96	`
61	97	a
62	98	b
63	99	c
64	100	d
65	101	e
66	102	f
67	103	g
68	104	h
69	105	i
6A	106	j
6B	107	k
6C	108	l
6D	109	m
6E	110	n
6F	111	o
70	112	p
71	113	q
72	114	r
73	115	s
74	116	t
75	117	u
76	118	v
77	119	w
78	120	x
79	121	y
7A	122	z
7B	123	{
7C	124	
7D	125	}
7E	126	~
7F	127	DEL

Document Revision History

Document Revision	Changes
1.00	First Release
1.01	Added info about U, V command, corrected text concerning RSSI-readings, new application circuit drawing
1.02	<ul style="list-style-type: none">- RTS/SLEEP pin info and configuration added.- Added channel list for RC1170HP and corrected number of channels- Max packet length increased to 1024 bytes.- New address mode option for 4 byte addressing- UART number of bits and parity option added
1.03	-Clarification of data rate and output power limitations for EN300-220-2 V2.4.1 compliance

Product Status and Definitions

Current Status	Data Sheet Identification	Product Status	Definition
	Advance Information	Planned or under development	This data sheet contains the design specifications for product development. Specifications may change in any manner without notice.
	Preliminary	Engineering Samples and First Production	This data sheet contains preliminary data, and supplementary data will be published at a later date. Radiocrafts reserves the right to make changes at any time without notice in order to improve design and supply the best possible product.
X	No Identification Noted	Full Production	This data sheet contains final specifications. Radiocrafts reserves the right to make changes at any time without notice in order to improve design and supply the best possible product.
	Obsolete	Not in Production	This data sheet contains specifications on a product that has been discontinued by Radiocrafts. The data sheet is printed for reference information only.

Disclaimer

Radiocrafts AS believes the information contained herein is correct and accurate at the time of this printing. However, Radiocrafts AS reserves the right to make changes to this product without notice. Radiocrafts AS does not assume any responsibility for the use of the described product; neither does it convey any license under its patent rights, or the rights of others. The latest updates are available at the Radiocrafts website or by contacting Radiocrafts directly.

As far as possible, major changes of product specifications and functionality, will be stated in product specific Errata Notes published at the Radiocrafts website. Customers are encouraged to check regularly for the most recent updates on products and support tools.

Trademarks

RC232™ is a trademark of Radiocrafts AS. The RC232™ Embedded RF Protocol is used in a range of products from Radiocrafts. The protocol handles host communication, data buffering, error check, addressing and broadcasting. It supports point-to-point, point-to-multipoint and peer-to-peer network topologies.

All other trademarks, registered trademarks and product names are the sole property of their respective owners.

Life Support Policy

This Radiocrafts product is not designed for use in life support appliances, devices, or other systems where malfunction can reasonably be expected to result in significant personal injury to the user, or as a critical component in any life support device or system whose failure to perform can be reasonably expected to cause the failure of the life support device or system, or to affect its safety or effectiveness. Radiocrafts AS customers using or selling these products for use in such applications do so at their own risk and agree to fully indemnify Radiocrafts AS for any damages resulting from any improper use or sale.

© 2011, Radiocrafts AS. All rights reserved.

Contact Information

Web site: www.radiocrafts.com

Address:

Radiocrafts AS
Sandakerveien 64
NO-0484 OSLO
NORWAY

Tel: +47 4000 5195

Fax: +47 22 71 29 15

E-mail: sales@radiocrafts.com
support@radiocrafts.com