




# 2J5015PCB (DATASHEET)

<b>Type</b>	ISM antenna
<b>Frequencies</b>	ISM (868 MHz) ISM (915 MHz)
<b>Mounting</b>	Patch Mount
<b>Revision</b>	00



  
P. Tipul

  
D. Noble

# 1. SPECIFICATION

## 1.1. Electrical Specifications

Frequencies	ISM (868 MHz) ISM (915 MHz)
Impedance	50 Ohms
Polarization	Horizontal
Gain	1 dBi max.
VSWR*	<3:1
Power handling	5W
Operating temperature	-40°C to +85°C
Note	For mounting on plastic board

\*Stated when placed on 20x20cm plastic board with 30cm microcoax and U.F.L

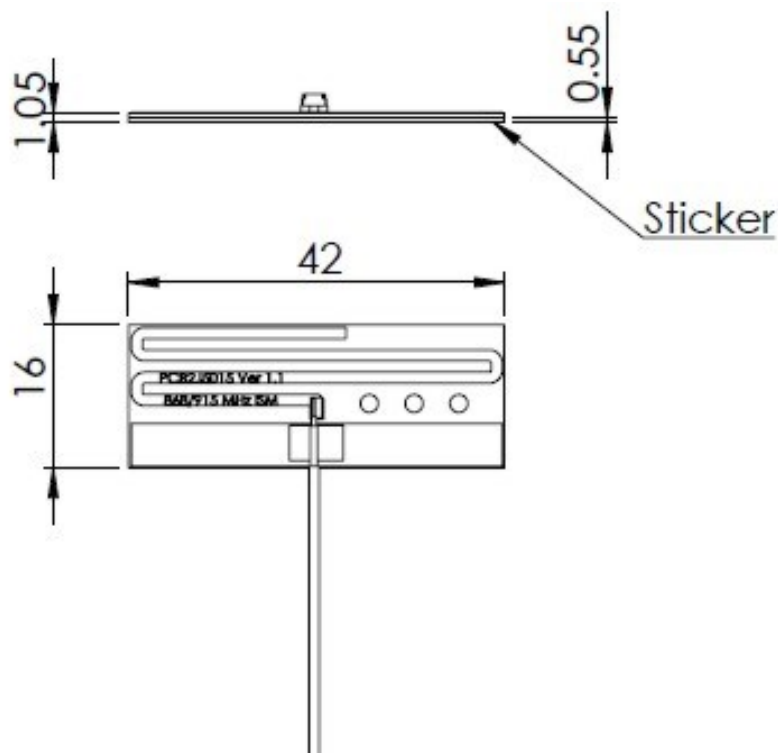
## 1.2. Connection Specifications

Connector type: U.F.L  
 Cable: Microcoax 1,13mm  
 Cable length: 15 cm

For different cable length and connector type ask our sales team.

## 1.3. Mechanical Specifications and Dimensions

Material: FR4  
 Max. dimensions: 1,05mm x 16mm x 42mm  
 Weight: 3 g 'weight counted with cable above'



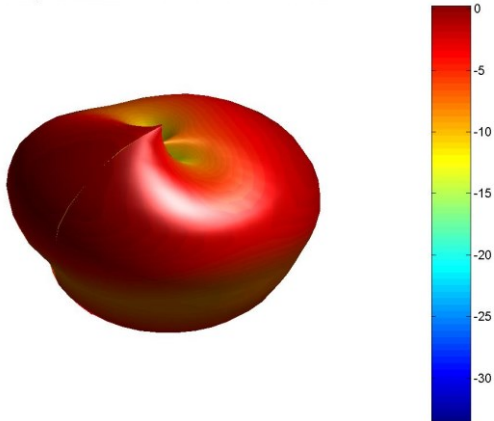
## 2. MEASUREMENT

### 2.1. Set Up

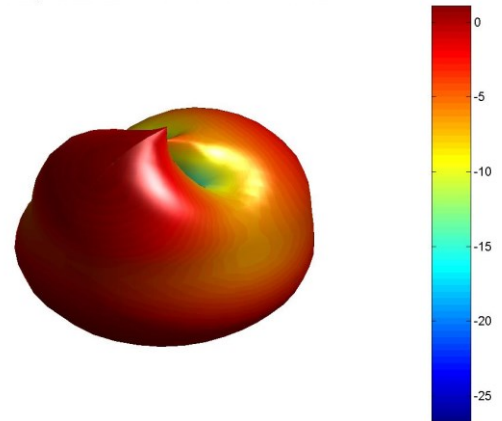
- Tested with 30cm Microcoax 1,13 and UFL connector
- Placed on 20x20cm plastic board.

### 2.2. Charts

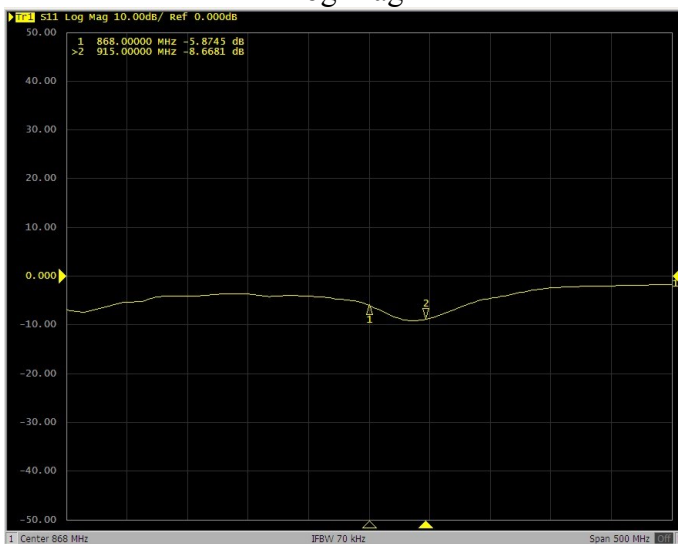
868MHz  
Freq = 0.8680GHz Az= 45 EL= 45



915MHz  
Freq = 0.9155GHz Az= 45 EL= 45



Log Mag



VSWR

